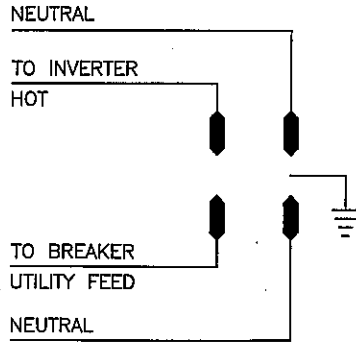
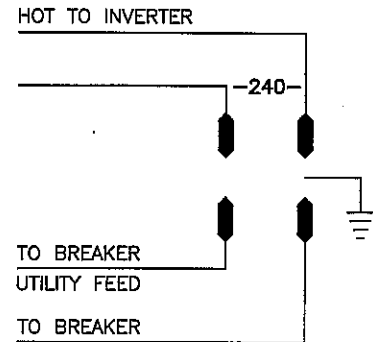


SOLAR METER SOCKET CONNECTIONS

120V INVERTER 2 WIRE SOCKET

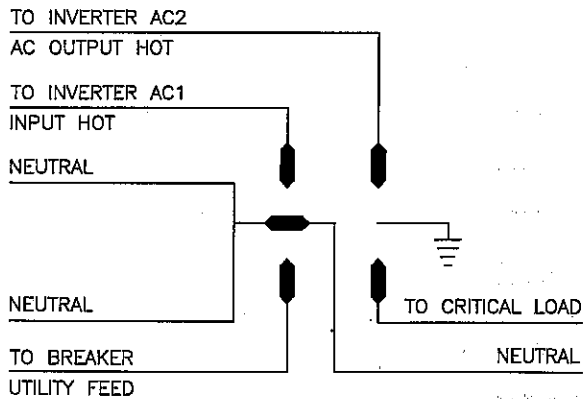


240V INVERTER 3 WIRE SOCKET



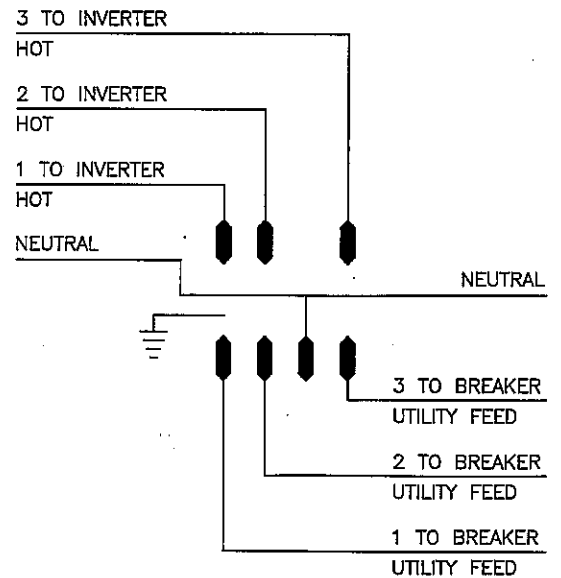
NO NEUTRAL REQUIRED

120V INVERTER / BATTERY BACKUP FORM 12S - 5 TERM SOCKET



IN POWER OUTAGE, AC1 IS DISCONNECTED BY ELECTRONIC BREAKER AND UTILITY IS ISOLATED FROM GENERATION. DISPLAY ON METER IS NOW OFF AND NO GENERATION IS METERED.

120/208V INVERTER 3 PHASE 7 TERM SOCKET



THE FOLLOWING CONDITIONS APPLY:

1. ALL SOCKET LOCATIONS OUTSIDE UNLESS INSIDE MAIN METER ROOM.
2. ALL GROUNDING COMPLETELY VISABLE AT SOCKET.
3. GROUND TO GROUND ROD IN ISOLATED LOCATIONS.
4. GROUND TO SYSTEM GROUND NEAR NET METER.
5. NEUTRAL WIRES ISOLATED FROM SOCKET AND GROUND.
6. AC OR DC BREAKER BY SOCKET.

REVISED:
 REVISED:
 REVISED:

REVISED:
 REVISED:
 REVISED:



ELECTRIC SERVICE REQUIREMENTS

DIAGRAM NO. N/A
 GMP STD. NO. N/A
 DATE: 7/31/2008
 PAGE: 1 OF 1